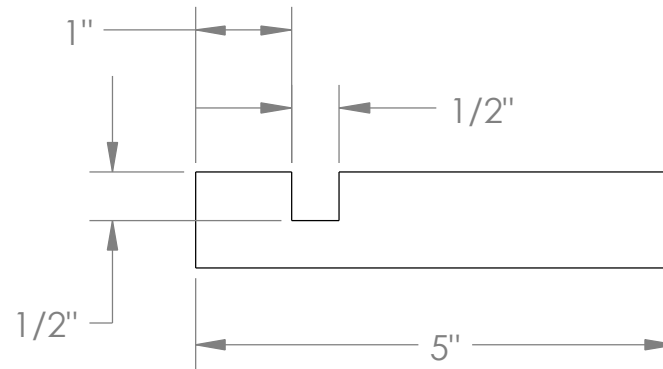
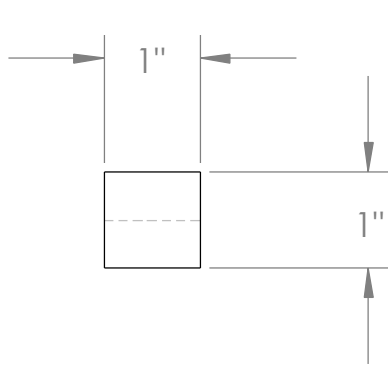
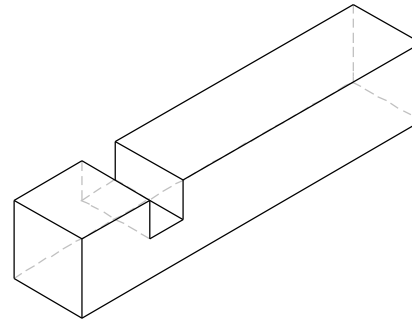
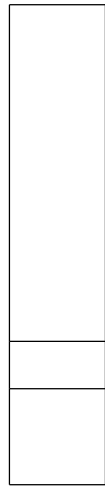


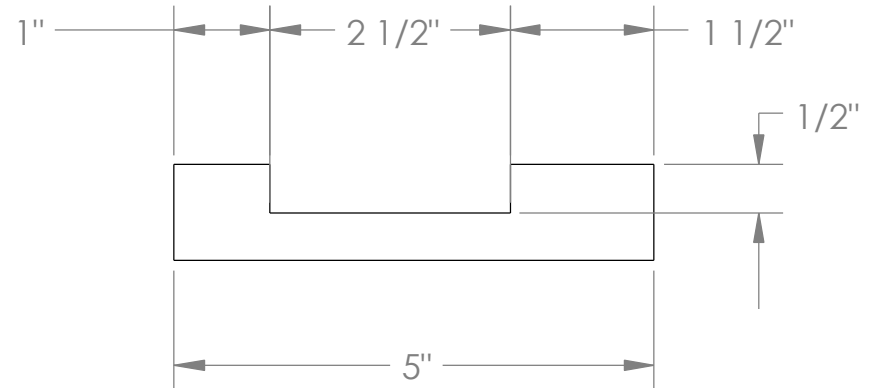
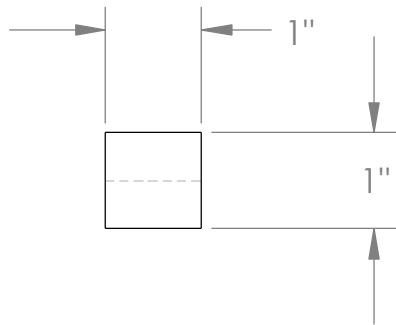
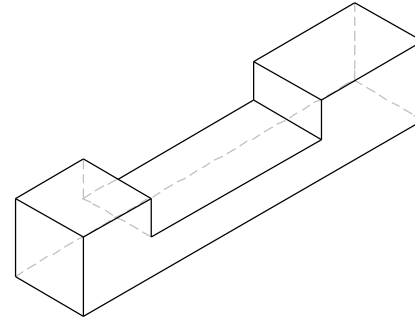
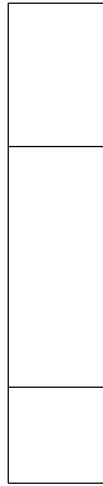
REVISIONS		DATE	APPROVED
ZONE	REV.	DESCRIPTION	



PROPRIETARY AND CONFIDENTIAL
 THE INFORMATION CONTAINED IN THIS
 DRAWING IS THE SOLE PROPERTY OF
 <INSERT COMPANY NAME HERE>. ANY
 REPRODUCTION IN PART OR AS A WHOLE
 WITHOUT THE WRITTEN PERMISSION OF
 <INSERT COMPANY NAME HERE> IS
 PROHIBITED.

		DIMENSIONS ARE IN INCHES		NAME	DATE	Bill Anderson
		TOLERANCES:		DRAWN		
		FRACTIONAL ±		CHECKED		Daimond Cube
		ANGULAR: MACH ± BEND ±		ENG APPR.		
		TWO PLACE DECIMAL ±		MFG APPR.		
		THREE PLACE DECIMAL ±		Q.A.		
		MATERIAL --		COMMENTS:		
NEXT ASSY	USED ON	FINISH --				
APPLICATION		DO NOT SCALE DRAWING				
SIZE	DWG. NO.	Part A-1			REV.	
A						
SCALE:1:2	WEIGHT:				SHEET 1 OF 1	

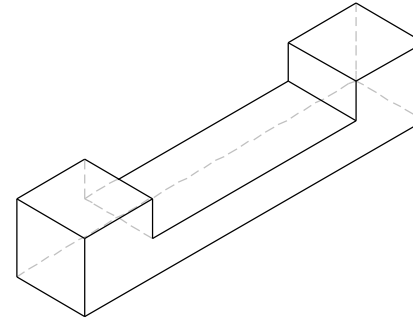
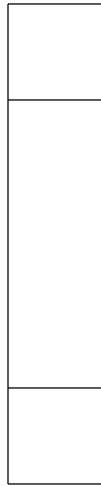
		REVISIONS			
ZONE	REV.	DESCRIPTION	DATE	APPROVED	



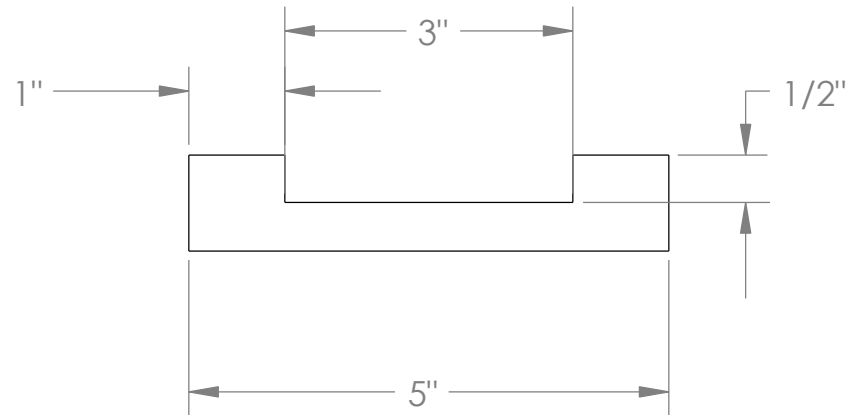
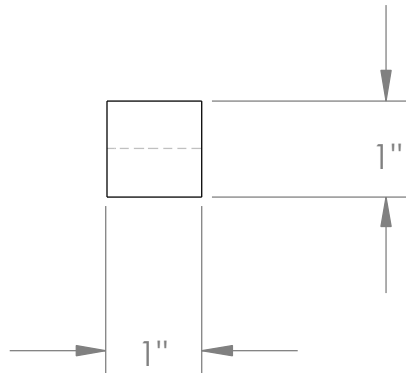
PROPRIETARY AND CONFIDENTIAL
 THE INFORMATION CONTAINED IN THIS
 DRAWING IS THE SOLE PROPERTY OF
 <INSERT COMPANY NAME HERE>. ANY
 REPRODUCTION IN PART OR AS A WHOLE
 WITHOUT THE WRITTEN PERMISSION OF
 <INSERT COMPANY NAME HERE> IS
 PROHIBITED.

		DIMENSIONS ARE IN INCHES		NAME		DATE		Bill Anderson	
		TOLERANCES:		DRAWN				Diamond Cube	
		FRACTIONAL ±		CHECKED					
		ANGULAR: MACH ± BEND ±		ENG APPR.					
		TWO PLACE DECIMAL ±		MFG APPR.					
		THREE PLACE DECIMAL ±		Q.A.					
		MATERIAL		COMMENTS:					
		FINISH							
NEXT ASSY	USED ON	APPLICATION		DO NOT SCALE DRAWING		SCALE:1:2		WEIGHT:	
						DWG. NO.		Part A-2	
						REV.		SHEET 1 OF 1	

		REVISIONS			
ZONE	REV.	DESCRIPTION		DATE	APPROVED



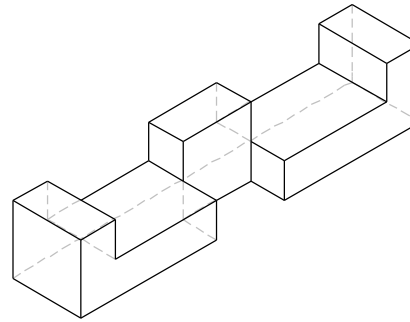
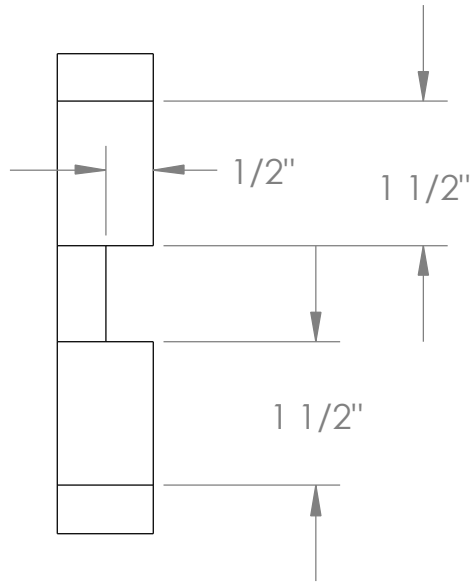
2 REQUIRED



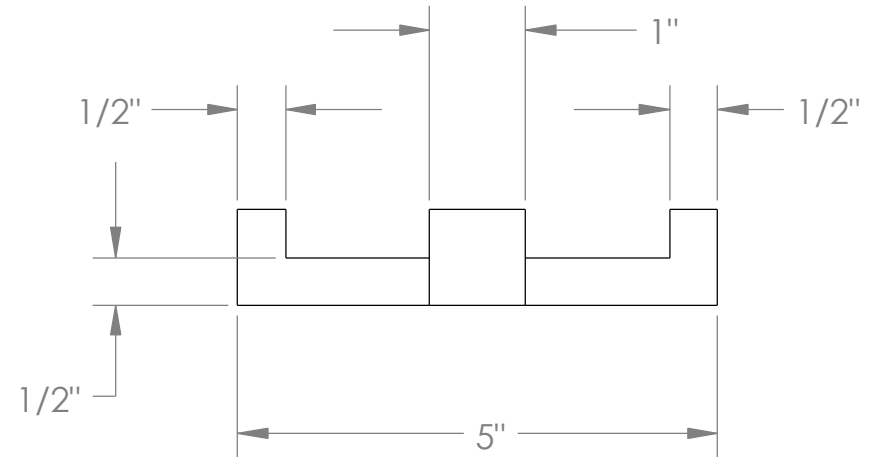
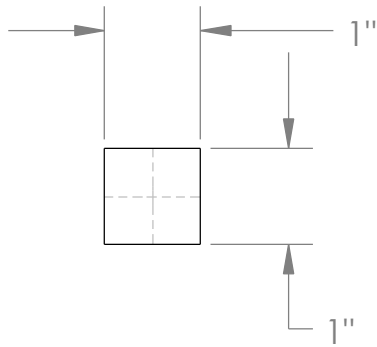
PROPRIETARY AND CONFIDENTIAL
 THE INFORMATION CONTAINED IN THIS
 DRAWING IS THE SOLE PROPERTY OF
 <INSERT COMPANY NAME HERE>. ANY
 REPRODUCTION IN PART OR AS A WHOLE
 WITHOUT THE WRITTEN PERMISSION OF
 <INSERT COMPANY NAME HERE> IS
 PROHIBITED.

		DIMENSIONS ARE IN INCHES		NAME		DATE		Bill Anderson	
		TOLERANCES:		DRAWN				Diamond Cube	
		FRACTIONAL ±		CHECKED					
		ANGULAR: MACH ± BEND ±		ENG APPR.					
		TWO PLACE DECIMAL ±		MFG APPR.					
		THREE PLACE DECIMAL ±		Q.A.					
		MATERIAL		COMMENTS:					
		FINISH							
NEXT ASSY	USED ON	APPLICATION		DO NOT SCALE DRAWING		SCALE:1:2		WEIGHT:	
						DWG. NO.		Part A-3	
						REV.		SHEET 1 OF 1	

ZONE		REV.	REVISIONS	DATE	APPROVED
			DESCRIPTION		



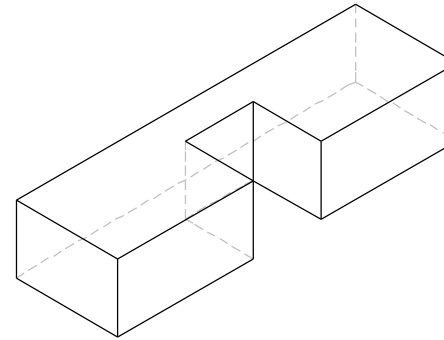
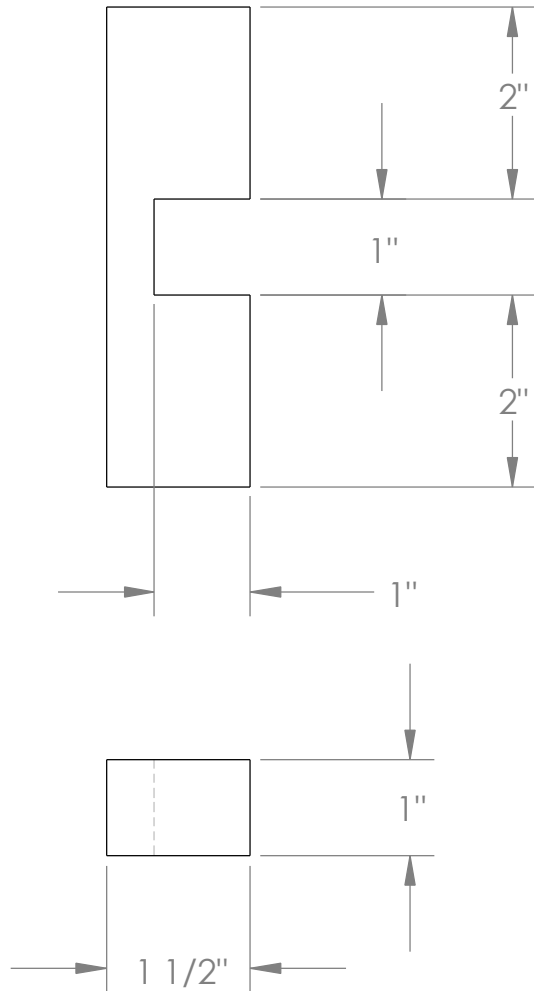
2 REQUIRED



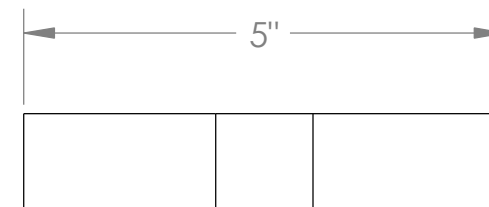
PROPRIETARY AND CONFIDENTIAL
 THE INFORMATION CONTAINED IN THIS
 DRAWING IS THE SOLE PROPERTY OF
 <INSERT COMPANY NAME HERE>. ANY
 REPRODUCTION IN PART OR AS A WHOLE
 WITHOUT THE WRITTEN PERMISSION OF
 <INSERT COMPANY NAME HERE> IS
 PROHIBITED.

		DIMENSIONS ARE IN INCHES		NAME		DATE		Bill Anderson	
		TOLERANCES:		DRAWN					
		FRACTIONAL ±		CHECKED					
		ANGULAR: MACH ± BEND ±		ENG APPR.					
		TWO PLACE DECIMAL ±		MFG APPR.					
		THREE PLACE DECIMAL ±		Q.A.					
		MATERIAL		COMMENTS:					
		--							
NEXT ASSY	USED ON	FINISH							
		--							
APPLICATION		DO NOT SCALE DRAWING							
				SIZE		DWG. NO.		REV.	
				A		Part A-4			
				SCALE:1:2		WEIGHT:		SHEET 1 OF 1	

REVISIONS		DATE	APPROVED
ZONE	REV.	DESCRIPTION	



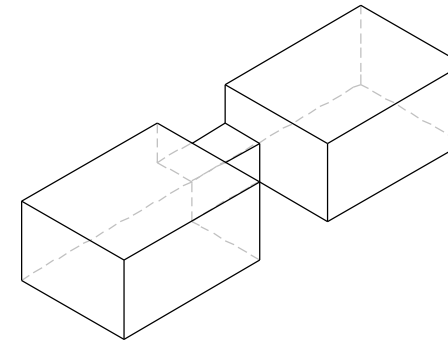
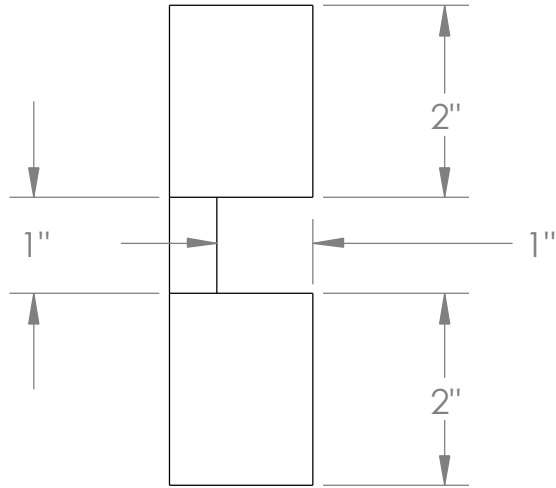
2 REQUIRED



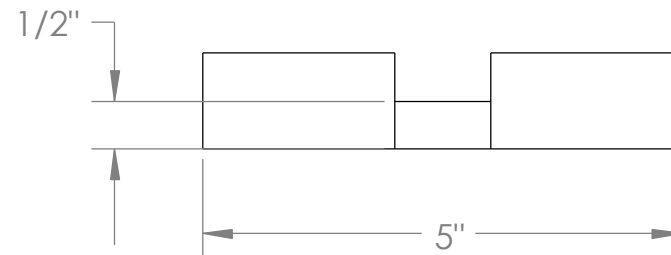
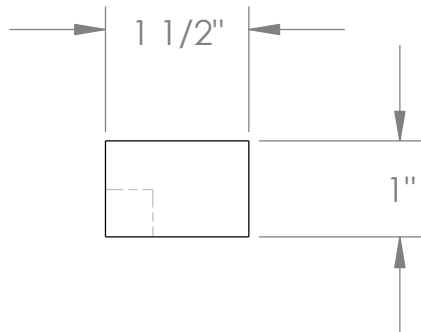
PROPRIETARY AND CONFIDENTIAL
 THE INFORMATION CONTAINED IN THIS
 DRAWING IS THE SOLE PROPERTY OF
 <INSERT COMPANY NAME HERE>. ANY
 REPRODUCTION IN PART OR AS A WHOLE
 WITHOUT THE WRITTEN PERMISSION OF
 <INSERT COMPANY NAME HERE> IS
 PROHIBITED.

		DIMENSIONS ARE IN INCHES		NAME		DATE		Bill Anderson	
		TOLERANCES:		DRAWN					
		FRACTIONAL ±		CHECKED					
		ANGULAR: MACH ± BEND ±		ENG APPR.					
		TWO PLACE DECIMAL ±		MFG APPR.					
		THREE PLACE DECIMAL ±		Q.A.					
		MATERIAL		COMMENTS:					
		--							
NEXT ASSY	USED ON	FINISH							
		--							
APPLICATION		DO NOT SCALE DRAWING							
				SCALE:1:2		WEIGHT:		SHEET 1 OF 1	
				SIZE A		DWG. NO. Part B-1		REV.	

		REVISIONS			
ZONE	REV.	DESCRIPTION		DATE	APPROVED



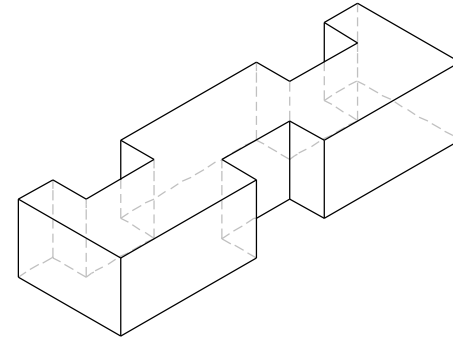
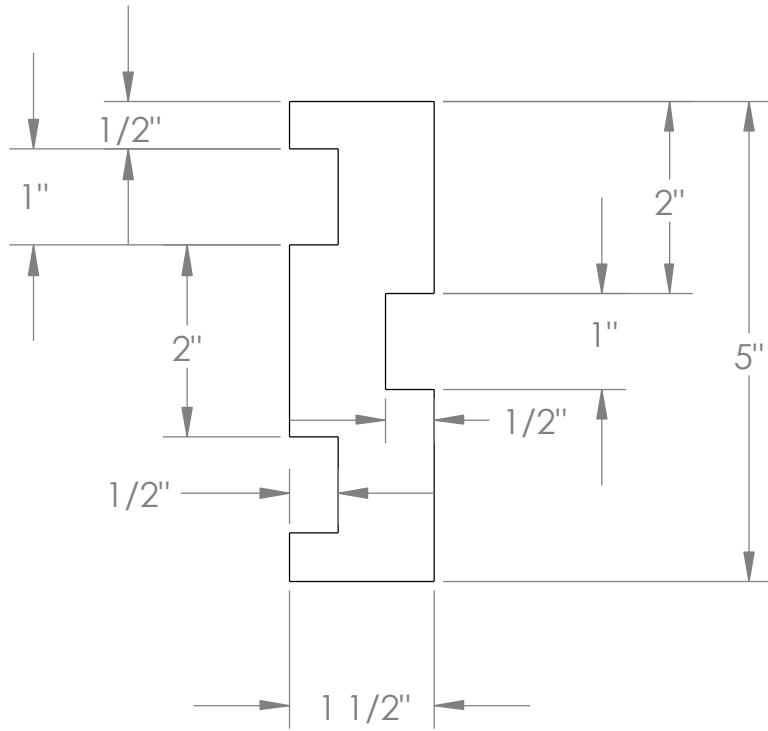
2 REQUIRED



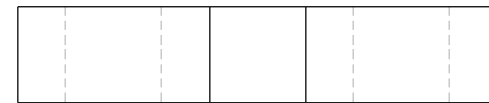
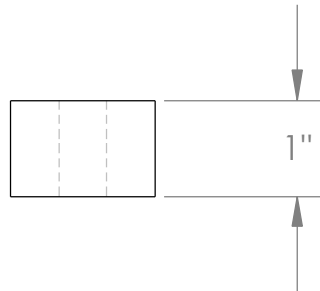
PROPRIETARY AND CONFIDENTIAL
 THE INFORMATION CONTAINED IN THIS
 DRAWING IS THE SOLE PROPERTY OF
 <INSERT COMPANY NAME HERE>. ANY
 REPRODUCTION IN PART OR AS A WHOLE
 WITHOUT THE WRITTEN PERMISSION OF
 <INSERT COMPANY NAME HERE> IS
 PROHIBITED.

		DIMENSIONS ARE IN INCHES		NAME		DATE		Bill Anderson	
		TOLERANCES:		DRAWN				Diamond Cube	
		FRACTIONAL ±		CHECKED					
		ANGULAR: MACH ± BEND ±		ENG APPR.					
		TWO PLACE DECIMAL ±		MFG APPR.					
		THREE PLACE DECIMAL ±		Q.A.					
		MATERIAL		COMMENTS:					
		FINISH							
NEXT ASSY	USED ON	APPLICATION		DO NOT SCALE DRAWING		SCALE: 1:2		WEIGHT:	
						SIZE A		DWG. NO. Part B-2	
								REV.	
								SHEET 1 OF 1	

		REVISIONS			
ZONE	REV.	DESCRIPTION	DATE	APPROVED	



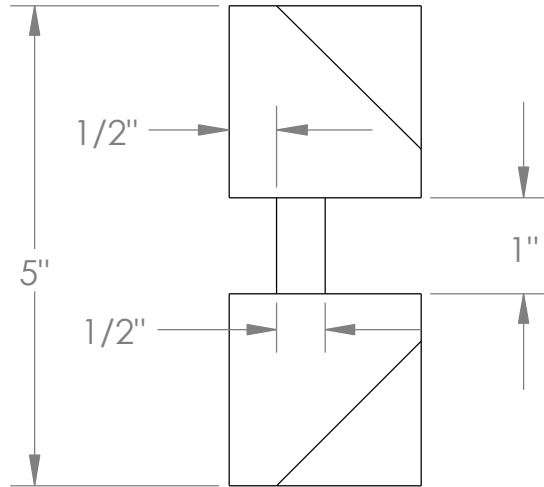
2 REQUIRED



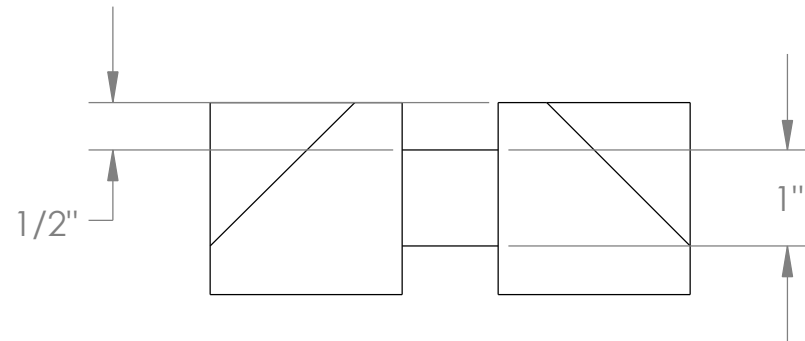
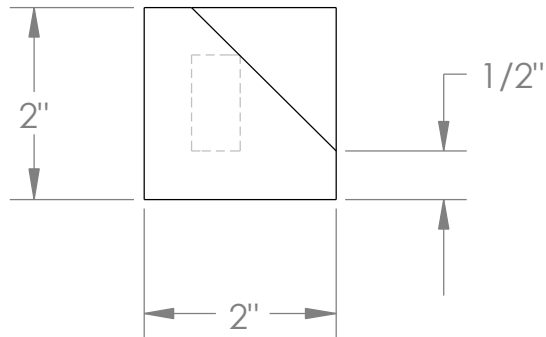
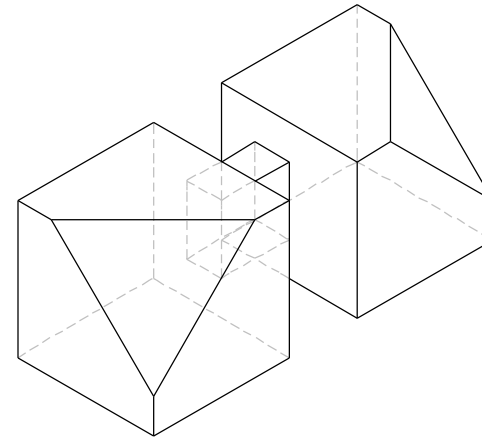
PROPRIETARY AND CONFIDENTIAL
 THE INFORMATION CONTAINED IN THIS
 DRAWING IS THE SOLE PROPERTY OF
 <INSERT COMPANY NAME HERE>. ANY
 REPRODUCTION IN PART OR AS A WHOLE
 WITHOUT THE WRITTEN PERMISSION OF
 <INSERT COMPANY NAME HERE> IS
 PROHIBITED.

		DIMENSIONS ARE IN INCHES TOLERANCES: FRACTIONAL ± ANGULAR: MACH ± BEND ± TWO PLACE DECIMAL ± THREE PLACE DECIMAL ±		NAME	DATE	Bill Anderson
		MATERIAL	--			
NEXT ASSY	USED ON	FINISH	--	COMMENTS:		SIZE
APPLICATION		DO NOT SCALE DRAWING				DWG. NO.
						Part B-3
						REV.
						SCALE:1:2
						WEIGHT:
						SHEET 1 OF 1

		REVISIONS			
ZONE	REV.	DESCRIPTION		DATE	APPROVED



4 REQUIRED



PROPRIETARY AND CONFIDENTIAL
 THE INFORMATION CONTAINED IN THIS
 DRAWING IS THE SOLE PROPERTY OF
 <INSERT COMPANY NAME HERE>. ANY
 REPRODUCTION IN PART OR AS A WHOLE
 WITHOUT THE WRITTEN PERMISSION OF
 <INSERT COMPANY NAME HERE> IS
 PROHIBITED.

		DIMENSIONS ARE IN INCHES		NAME		DATE		Bill Anderson	
		TOLERANCES:		DRAWN					
		FRACTIONAL ±		CHECKED				Diamond Cube	
		ANGULAR: MACH ± BEND ±		ENG APPR.					
		TWO PLACE DECIMAL ±		MFG APPR.				Part C	
		THREE PLACE DECIMAL ±		Q.A.					
		MATERIAL		COMMENTS:				REV.	
		FINISH						A	
NEXT ASSY	USED ON	APPLICATION		DO NOT SCALE DRAWING		SCALE:1:2		WEIGHT:	
								SHEET 1 OF 1	